



# Ultra™ and WoodClad™ Fiberglass In-Swing French Door 3642 and 3662 Series



*Clearly the best.*™



# WoodClad™ & Ultra™ Fiberglass In-Swing French Door 3642 and 3662 Series

## Frame And Components

- Fiberglass sill provides improved structural performance and strength
- Larger frame for increased strength and rigidity of door jamb
- SunCoat® Low-E glass standard
- EdgeGardMAX™ warm edge spacer standard
- Series: 3642 - 4 9/16" wall condition
- Series: 3662 - 6 9/16" wall condition

## Color Options

PRODUCT LINE	COLOR CHOICES							
	White	Brownstone	Tan	Hunter Green	Sand	Cranberry	Matte Black	Silver Pearl
Ultra Color Options	●	●	●	●	●	●	●	●
Ultra Dual Color Options		●	●				●	●
Douglas Fir Color Options	●	●	●	●	●	●	●	
Mahogany Color Options	●	●						

## Interior Wood

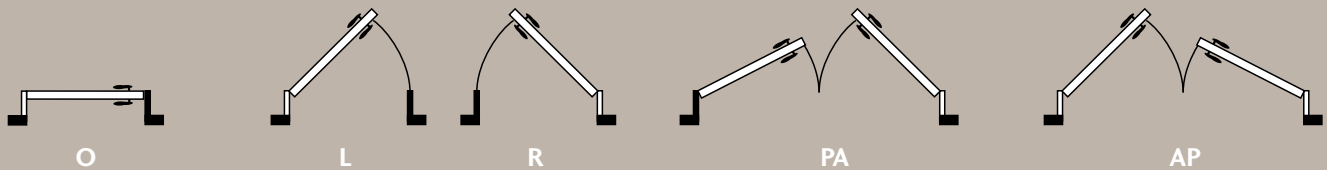
Clear Vertical Grain Douglas Fir



Mahogany



## Panel Hinge Configurations



### HINGING:

O: Stationary Panel

X: Operating Panel, Specify L or R Handing

XX: Two Operating Panels, (1) active and (1) inactive, specify L or R handing for active panel

# WoodClad™ & Ultra™ Fiberglass In-Swing French Door 3642 and 3662 Series

## Designer Hardware

- Five-point locking hardware standard for increased security and performance
- Multi-point lock is stainless steel which provides resistance to corrosion
- Two way adjusting, lift-off hinges for easy door panel alignment
- Thumb-turn lock for visible way of assuring that door is locked
- One motion unlocking of multi-point hardware
- Adaptable to Rocky Mountain Hardware
- Standard Volo Hardware available in:
  - Interior Painted Finish:  
*White, Dark Bronze*
  - Exterior Painted Finish:  
*White, Brownstone, Tan, Dark Bronze*
  - Metal Finish (Interior or Exterior) (Upcharge):  
*Brushed Nickel, Polished Chrome, PVD Dark Bronze*
- Special order hardware options see below (Upcharge):
  - Additional lead time
  - Metal Finish  
*Brushed Nickel, Polished Chrome, PVD Dark Bronze*



Standard Volo Hardware

## Options

- Glass: Tints, Multiple Obscure Styles, Laminated
- Grids: Vintage, Craftsman, Legacy, Sculptured, and Flat styles
- Locking System: 5 - point standard, above 8' height 7 - point standard
- Sidelites available in Operable and Fixed
- Transoms available in Panel and Direct Glazed

## Milgard Full Lifetime Warranty

- Full Lifetime Warranty including glass breakage coverage for as long as you own and reside in your home. For complete warranty details visit [milgard.com](http://milgard.com).



Locking Hook

## Hardware



Volo (STQ)



Pegasus\* (STV)



Bottecelli\* (STQ)



Fontana\* (STQ)



WoodClad™ In-Swing Patio Door with Mahogany



**ABOVE**  
WoodClad™ In-Swing Patio Door with Direct  
Glazed Transom and Operable Sidelites



**RIGHT**  
WoodClad In-Swing Patio Door with Panel  
Glazed Transom and Operable Sidelites



# 3642 - X Single Panel In-Swing

## SPECIFICATIONS

Minimum Size: 2'6" x 6'8"

Maximum Size: 3'0" x 8'0"

## TESTED SIZE

XX - SHD-LC50 72" x 82"

Air: 0.08 CFM/SQFT

Water: 7.50 psf

Structural Load: 75 psf

Design Pressure Rating: 50 psf

XX - SHD-LC45 75" x 96"

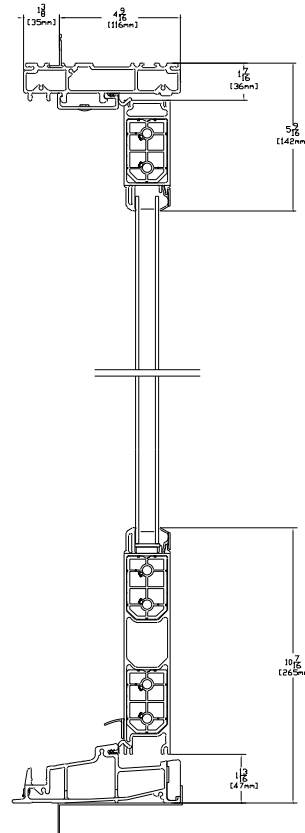
Air: 0.08 CFM/SQFT

Water: 7.50 psf

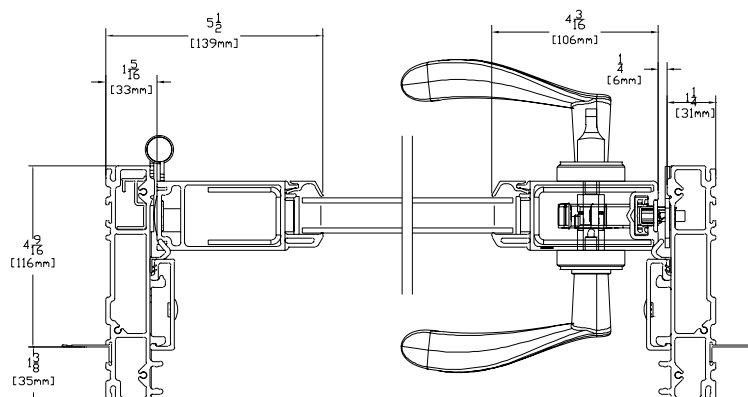
Structural Load: 67.5 psf

Design Pressure Rating: 45 psf

## VERTICAL VIEW



## HORIZONTAL VIEW





# 3642 - XX Two Panel In-Swing

## SPECIFICATIONS

Minimum Size: 5'0" x 6'8"

Maximum Size: 6'0" x 8'0"

## TESTED SIZE

XX - SHD-LC50 72" x 82"

Air: 0.08 CFM/SQFT

Water: 7.50 psf

Structural Load: 75 psf

Design Pressure Rating: 50 psf

XX - SHD-LC45 75" x 96"

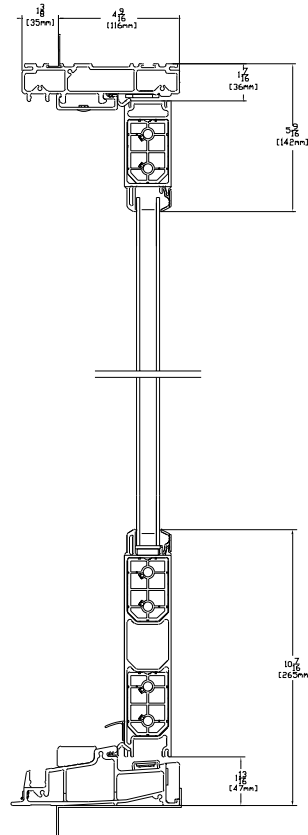
Air: 0.08 CFM/SQFT

Water: 7.50 psf

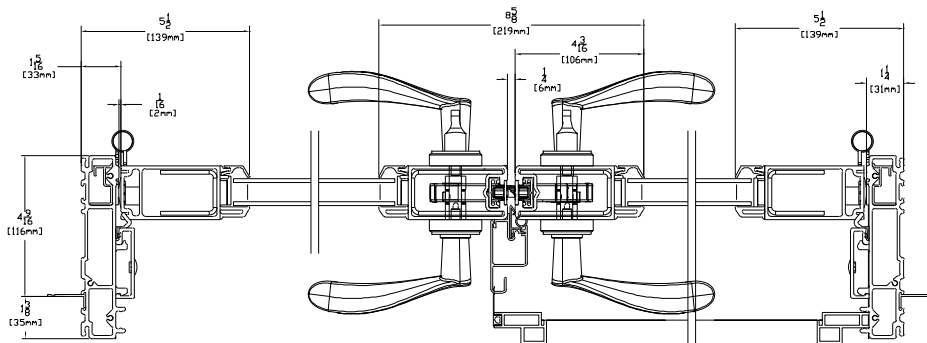
Structural Load: 67.5 psf

Design Pressure Rating: 45 psf

## VERTICAL VIEW



## HORIZONTAL VIEW



3662 Model also available.

# 3642 - OXO Three Panel In-Swing

## SPECIFICATIONS

Minimum Size: 7'6" x 6'8"

Maximum Size: 9'0" x 8'0"

## TESTED SIZE

OXXO – SHD-LC30 144" x 96"

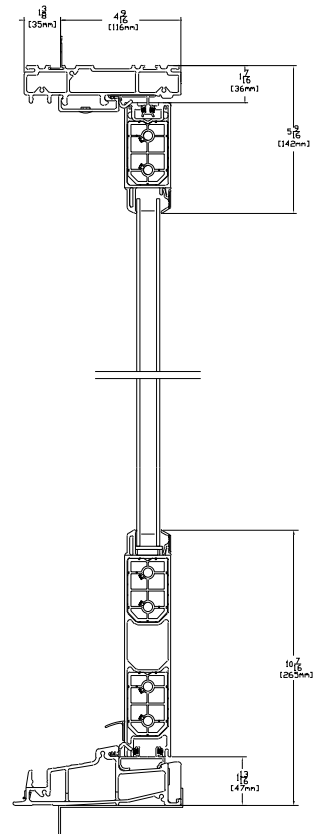
Air: 0.04 CFM/SQFT

Water: 6.75 psf

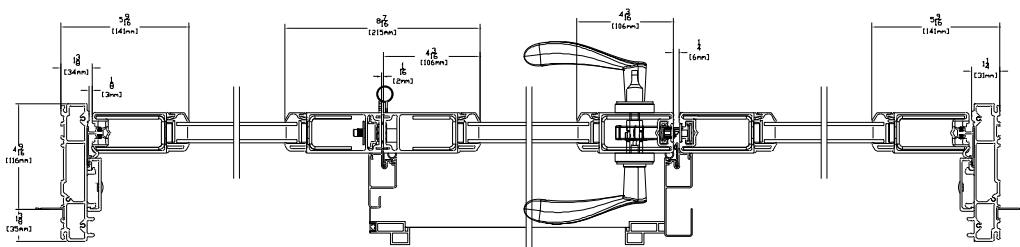
Structural Load: 45 psf

Design Pressure Rating: 30 psf

## VERTICAL VIEW



## HORIZONTAL VIEW



3662 Model also available.

# 3642 - OOX 3 Panel In-Swing

## SPECIFICATIONS

Minimum Size: 7'6" x 6'8"

Maximum Size: 9'0" x 8'0"

## TESTED SIZE

OXXO – SHD-LC30 144" x 96"

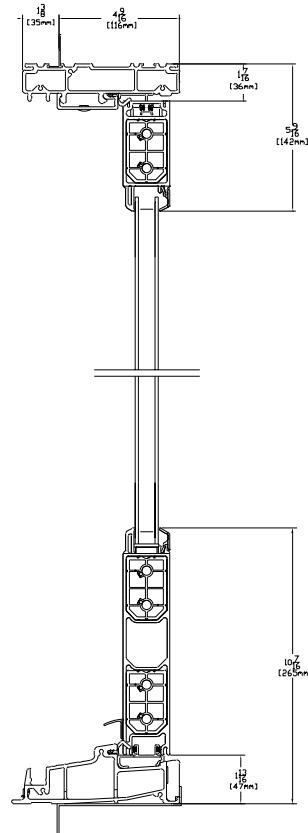
Air: 0.04 CFM/SQFT

Water: 6.75 psf

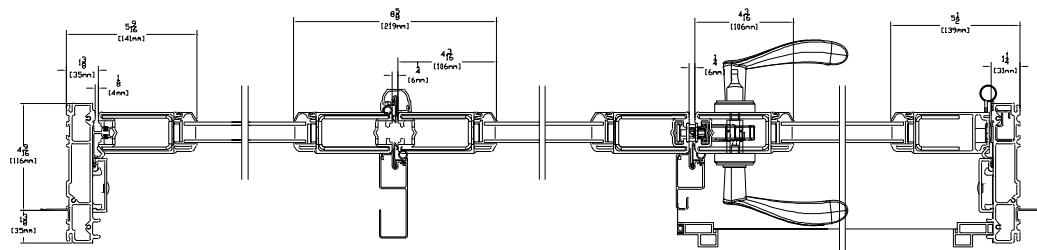
Structural Load: 45 psf

Design Pressure Rating: 30 psf

## VERTICAL VIEW



## HORIZONTAL VIEW



3662 Model also available.

# 3642 - OXXO Four Panel In-Swing

## SPECIFICATIONS

Minimum Size: 10'0" x 6'8"

Maximum Size: 12'0" x 8'0"

## TESTED SIZE

OXXO – SHD-LC30 144" x 96"

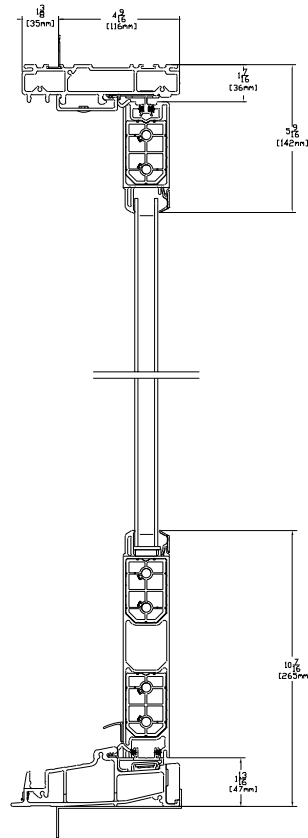
Air: 0.04 CFM/SQFT

Water: 6.75 psf

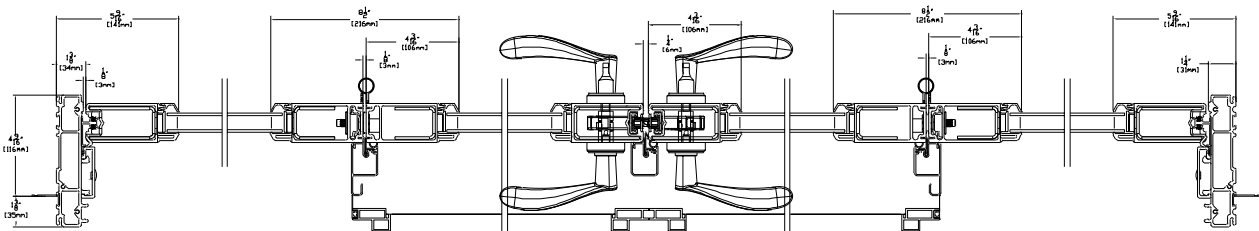
Structural Load: 45 psf

Design Pressure Rating: 30 psf

## VERTICAL VIEW



## HORIZONTAL VIEW



# 3642 - HXXH 4 Panel In-Swing with Operable Sidelites

## SPECIFICATIONS

Minimum Size: 8'0" x 6'8"

Maximum Size: 10'0" x 8'0"

## TESTED SIZE

HXXH – SHD-LC30 120" x 96"

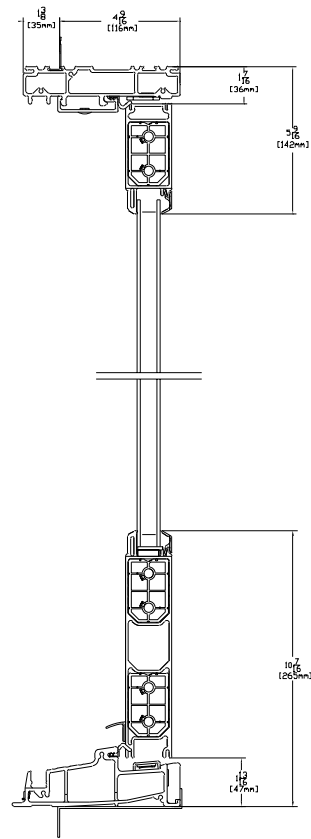
Air: 0.10 CFM/SQFT

Water: 4.50 psf

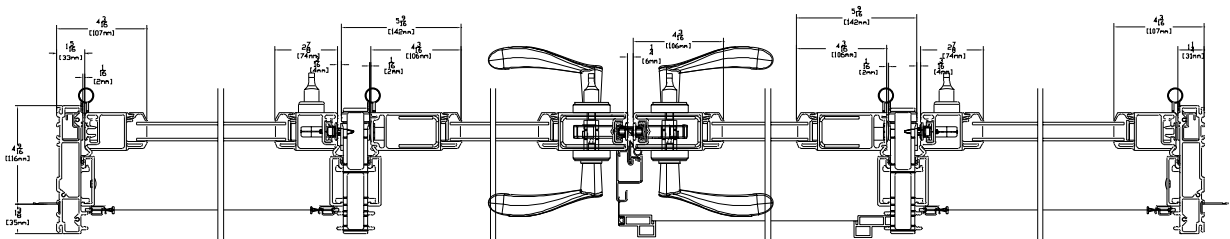
Structural Load: 52.5 psf

Design Pressure Rating: 30 psf

## VERTICAL VIEW



## HORIZONTAL VIEW



3662 Model also available.

# 3642/3662 - Sidelite Focus - Fixed

## SPECIFICATIONS

Sidelite Minimum Size: 1'2" x 7'8"

Sidelite Maximum Size: 2'0" x 7'8"

\* Refer to Vertical Set Sizes for Standard Vertical Sets.

## TESTED SIZE

OXXO – SHD-LC30 144" x 96"

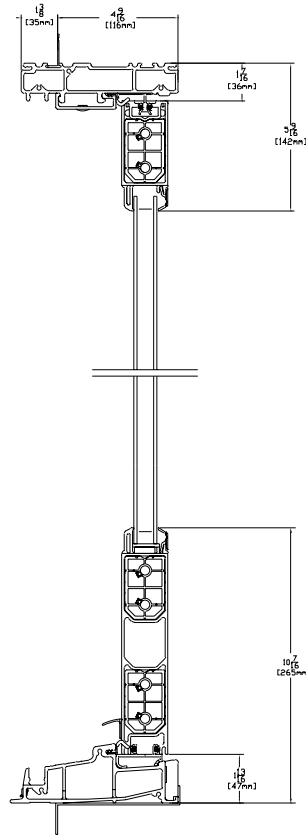
Air: 0.04 CFM/SQFT

Water: 6.75 psf

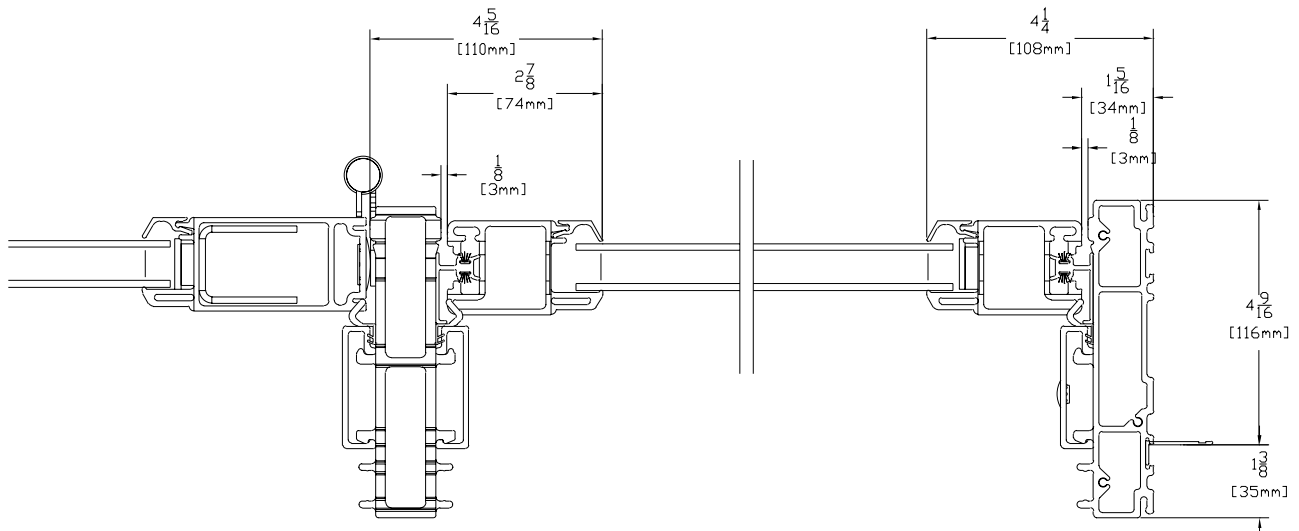
Structural Load: 45 psf

Design Pressure Rating: 30 psf

## VERTICAL VIEW



## HORIZONTAL VIEW



# 3642/3662 - Sidelite Focus - Operable

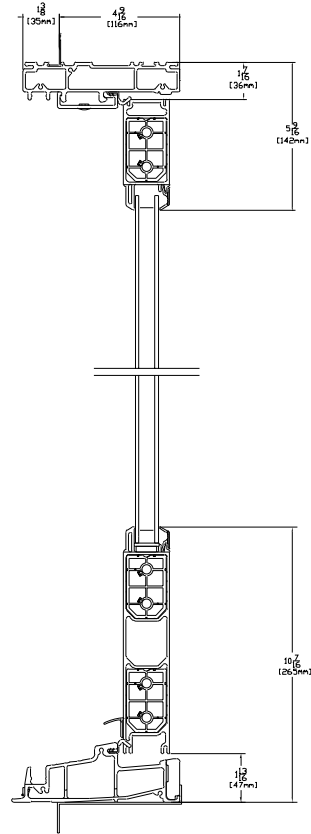
## SPECIFICATIONS

Sidelite Minimum Size: 1'2" x 7'8"

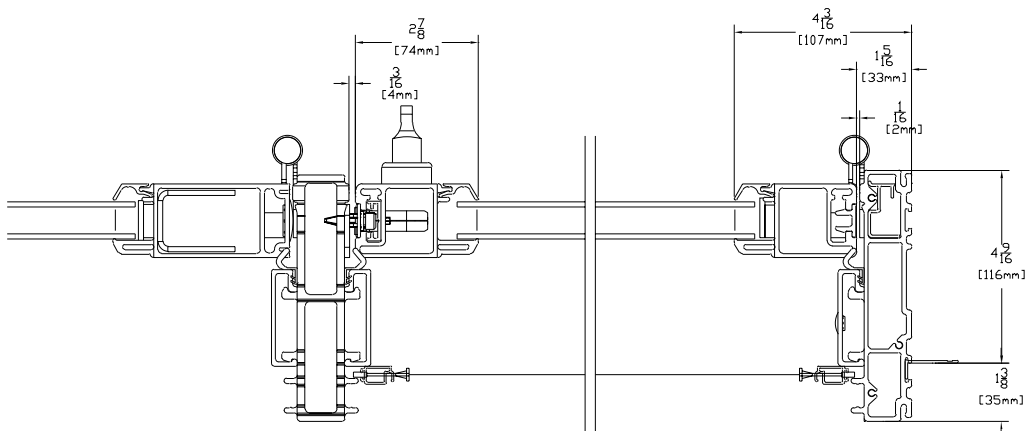
Sidelite Maximum Size: 2'0" x 7'8"

\* Refer to Vertical Set Sizes for Standard Vertical Sets.

## VERTICAL VIEW



## HORIZONTAL VIEW



## SPECIFICATIONS

### DIRECT GLAZED

Minimum Size: 1'9" x 1'0"

Maximum Size: O - 9'0" x 4'0"

OO, OOO, OOOO - 12'0" x 4'0"

### PANEL GLAZED

Minimum Size: 1'9" x 1'6"

Maximum Size: O - 9'0" x 4'0"

OO, OOO, OOOO - 12'0" x 4'0"

\* No multi-lites above non-sidelite doors.

### TESTED SIZE

O - Direct Glaze - FW-C30 72" x 72"

Air: 0.02 CFM/SQFT

Water: 4.50 psf

Structural Load: 75 psf

Design Pressure Rating: 50 psf

### MULL:

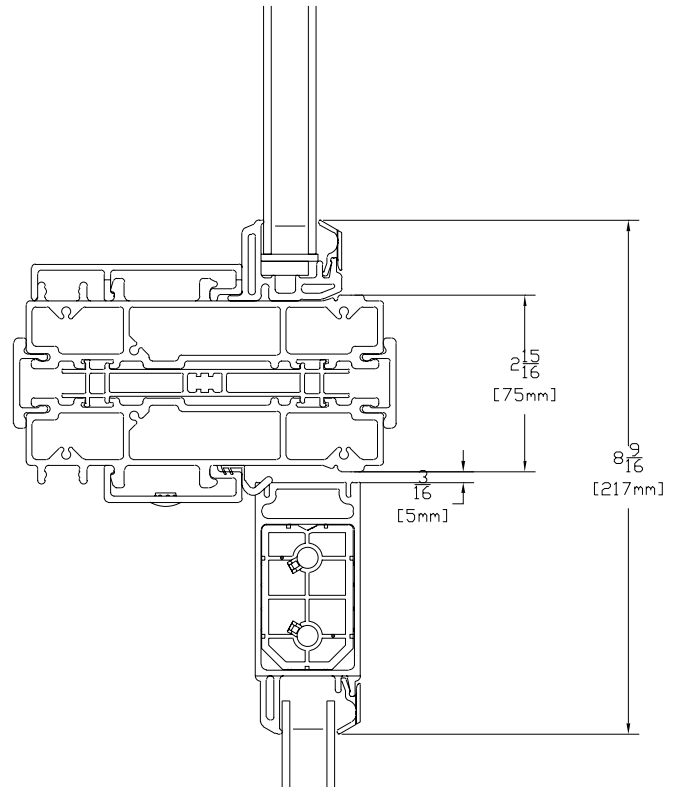
Air: 0.05 CFM/SQFT

Water: 4.50 psf

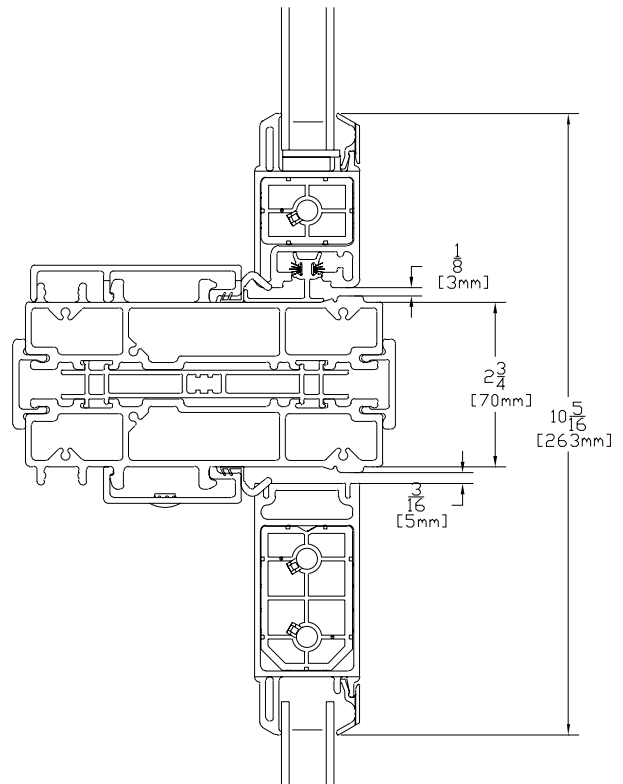
Structural Load: 45 psf

Design Pressure Rating: 30 psf

**DIRECT GLAZED - VERTICAL VIEW**



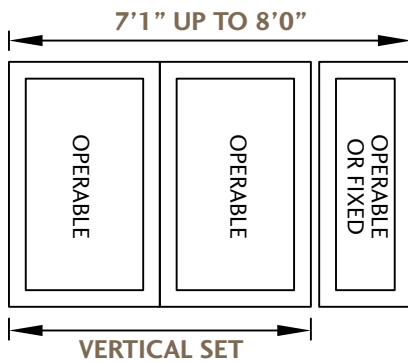
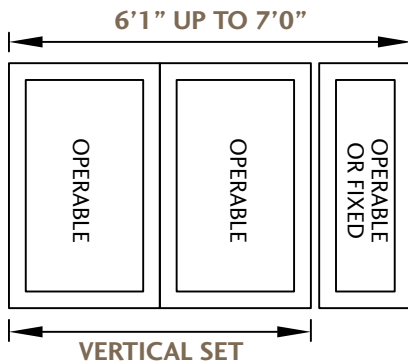
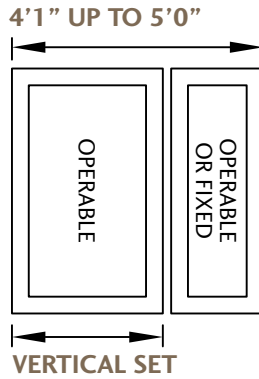
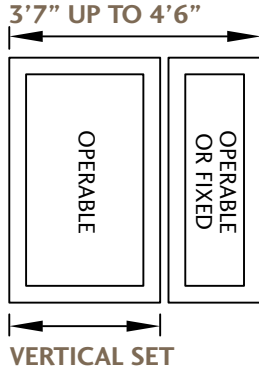
**PANEL GLAZED - VERTICAL VIEW**



# Sidelite Vertical Set for Standard Sizes

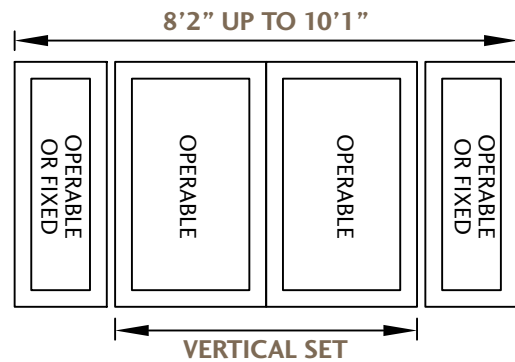
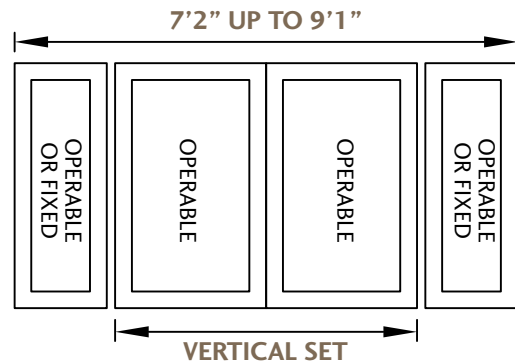
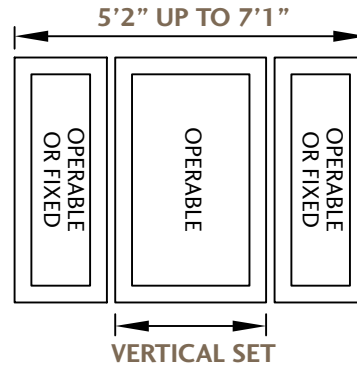
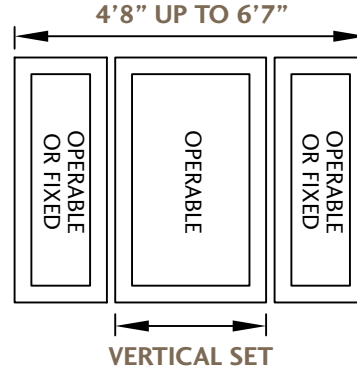
## 1 SIDELITE

Minimum to Maximum Net Size Opening with (1x) Sidelite for listed Vertical Set.



## 2 SIDELITES

Minimum to Maximum Net Size Opening with (2x) Sidelites for listed Vertical Set.



2' 6"

3' 0"

5' 0"

6' 0"

Minimum Sidelite Sizing: Net 13.0625" (=11.5" Sash)  
Maximum Sidelite Sizing: Net 25.0625" (=23.5" Sash)

WoodClad™ In-Swing Patio  
Door with Fixed Sidelites



**ARIZONA**  
Phoenix

**CALIFORNIA**  
Hollister  
Sacramento  
Simi Valley  
Temecula

**COLORADO**  
Denver

**ILLINOIS**  
Chicago

**NEVADA**  
Las Vegas

**OREGON**  
Portland

**UTAH**  
Salt Lake City

**VIRGINIA**  
Fredericksburg

**WASHINGTON**  
Tacoma  
Marysville

EdgeGard™, EdgeGardMAX™, SunCoat®, SunCoatMAX™, Ultra™, WoodClad™ are trademarks of Milgard Manufacturing, Inc.

Milgard Ultra™ and WoodClad™ windows meet criteria for structural integrity and reliable performance established by the American Architectural Manufacturers Association (AAMA). Consult your Milgard representative for specific test information.

Due to continual product research and development all product details, test data, and attributes may be changed at any time without prior notification. For the most up to date information visit [milgard.com](http://milgard.com).



*Clearly the best.™*

1.800.MILGARD · [milgard.com](http://milgard.com)